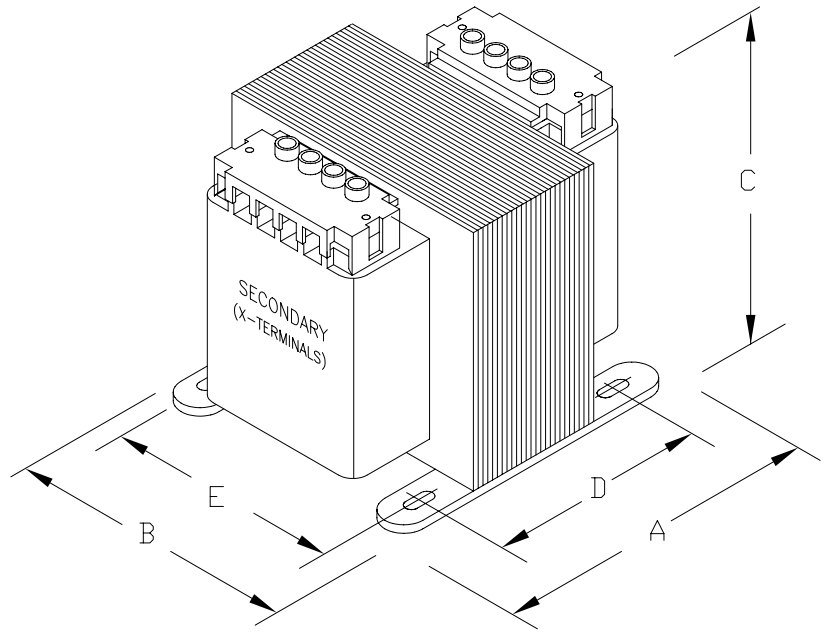


CONNECTION DIAGRAM



PROVIDED WITH SAFE TOUCH TERMINAL COVERS.  
 NO INTEGRAL FUSING CAPABILITY.

DIMENSIONS							APPROX. WT. LBS (KG)
	A	B	C	D	E	MTG. SLOTS	
INCHES (MM)	3.38 (86)	3.38 (86)	3.25 (83)	2.42 (61)	2.81 (71)	0.203X0.460 (5.1X11.7)	



CAT.NO. <b>B075-2042-GA</b>		CONST. <b>ENCAPSULATED</b>		LISTED CERTIFIED IEC 61558	
		MODEL <b>GLOBALTRAN</b>			
<b>RATING</b>					
OUTPUT AMPS	0.65	PRIMARY V	550/575/600	TEMP. CLASS	HZ 50/60
VA	75	SECONDARY V	110/115/120	105°C	REVISION <b>G</b>